

Indexing plungers

Steel / Stainless Steel without rest position

SPECIFICATION

Types

- Type **A**: with Plastic Knob, without lock nut
- Type **AK**: with Plastic-Knob, with lock nut
- Type **AN**: with Stainless Steel-Knob, without lock nut
- Type **AKN**: with Stainless Steel-Knob, with lock nut
- Type **G**: with threaded rod, without lock nut
- Type **GK**: with threaded rod, with lock nut

Version in Steel

- blackened
- Pin hardened

Version in Stainless Steel AISI 303 NI

Pin chemically nickel plated

Knob Type A / AK

- Plastic (Polyamide PA)
- black, matt
- not removable

Knob Type AN / AKN

- Stainless Steel AISI 303
- not removable



INFORMATION

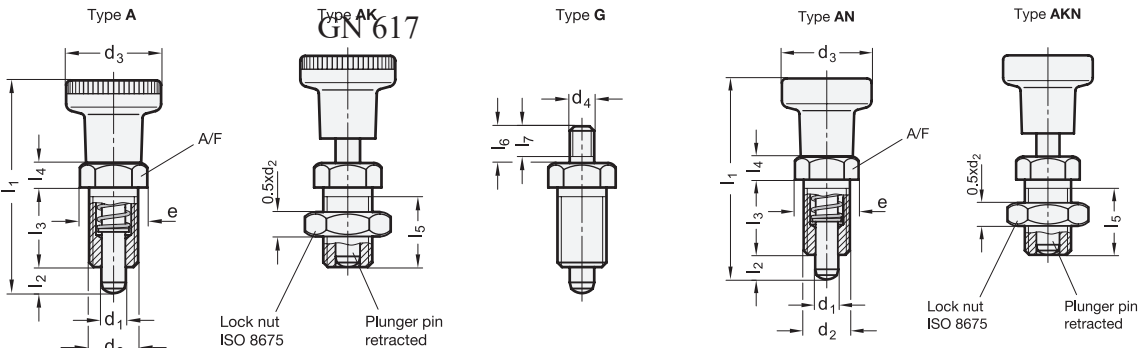
Type G or GK of the GN 617 indexing plungers have been designed for applications where the indexing plunger is not operated with the standard knob.

The indexing plungers are designed such that the plunger set in the end position (spring is "on block") can also absorb axial forces. For applications in which these forces are substantially above the tensile force applied by the operator (Type G), GN 817 (see page 754) indexing plungers are to be preferred.

- Range of indexing plungers (see page 738)

TECHNICAL INFORMATION

- ISO-Fundamental Tolerances (see page A21)
- Stainless Steel characteristics (see page A26)
- Plastic characteristics (see page A2)



GN 617 (Steel with Plastic knob)

Description	d1 Pin -0.02/-0.05 Bore H7	d2	d3	d4	e	l1 ≈	l2 min.	l3	l4	l5	l6 min.	l7	A/F	Spring load in N ≈ initial	Spring load in N ≈ end	⚖️
GN 617-5-A	5	M 10 x 1	21	-	13.8	45	5	17	5	15	-	-	12	7	17	19
GN 617-6-A	6	M 12 x 1.5	25	-	16.2	54.5	6	20	6	17	-	-	14	9	24	31
GN 617-8-A	8	M 16 x 1.5	31	-	21.9	69	8	26	8	23	-	-	19	11	30	70
GN 617-10-A	10	M 20 x 1.5	31	-	25.4	80	10	33	10	30	-	-	22	19	45	110
GN 617-5-AK	5	M 10 x 1	21	-	13.8	45	5	17	5	15	-	-	12	7	17	24
GN 617-6-AK	6	M 12 x 1.5	25	-	16.2	54.5	6	20	6	17	-	-	14	9	24	38
GN 617-8-AK	8	M 16 x 1.5	31	-	21.9	69	8	26	8	23	-	-	19	11	30	89
GN 617-10-AK	10	M 20 x 1.5	31	-	25.4	80	10	33	10	30	-	-	22	19	45	143
GN 617-5-G	5	M 10 x 1	-	M 5	13.8	-	5	17	5	15	6	4.5	12	7	17	14
GN 617-6-G	6	M 12 x 1.5	-	M 6	16.2	-	6	20	6	17	10	8	14	9	24	23
GN 617-8-G	8	M 16 x 1.5	-	M 8	21.9	-	8	26	8	23	12	10	19	11	30	54
GN 617-10-G	10	M 20 x 1.5	-	M 8	25.4	-	10	33	10	30	12	12	22	19	45	98
GN 617-5-GK	5	M 10 x 1	-	M 5	13.8	-	5	17	5	15	6	4.5	12	7	17	22
GN 617-6-GK	6	M 12 x 1.5	-	M 6	16.2	-	6	20	6	17	10	8	14	9	24	35
GN 617-8-GK	8	M 16 x 1.5	-	M 8	21.9	-	8	26	8	23	12	10	19	11	30	72
GN 617-10-GK	10	M 20 x 1.5	-	M 8	25.4	-	10	33	10	30	12	12	22	19	45	130

GN 617-NI (Stainless Steel with Plastic knob)

STAINLESS STEEL

Description	d1 Pin -0.02/-0.05 Bore H7	d2	d3	d4	e	l1 ≈	l2 min.	l3	l4	l5	l6 min.	l7	A/F	Spring load in N ≈ initial	Spring load in N ≈ end	⚖️
GN 617-5-A-NI	5	M 10 x 1	21	-	13.8	45	5	17	5	15	-	-	12	6	15	19
GN 617-6-A-NI	6	M 12 x 1.5	25	-	16.2	54.5	6	20	6	17	-	-	14	8	21	31
GN 617-8-A-NI	8	M 16 x 1.5	31	-	21.9	69	8	26	8	23	-	-	19	9	26	71
GN 617-10-A-NI	10	M 20 x 1.5	31	-	25.4	80	10	33	10	30	-	-	22	17	40	115
GN 617-5-AK-NI	5	M 10 x 1	21	-	13.8	45	5	17	5	15	-	-	12	6	15	24
GN 617-6-AK-NI	6	M 12 x 1.5	25	-	16.2	54.5	6	20	6	17	-	-	14	8	21	42
GN 617-8-AK-NI	8	M 16 x 1.5	31	-	21.9	69	8	26	8	23	-	-	19	9	26	85
GN 617-10-AK-NI	10	M 20 x 1.5	31	-	25.4	80	10	33	10	30	-	-	22	17	40	143
GN 617-5-G-NI	5	M 10 x 1	-	M 5	13.8	-	5	17	5	15	6	4.5	12	6	15	15
GN 617-6-G-NI	6	M 12 x 1.5	-	M 6	16.2	-	6	20	6	17	10	8	14	8	21	25
GN 617-8-G-NI	8	M 16 x 1.5	-	M 8	21.9	-	8	26	8	23	12	10	19	9	26	55
GN 617-10-G-NI	10	M 20 x 1.5	-	M 8	25.4	-	10	33	10	30	12	12	22	17	40	98
GN 617-5-GK-NI	5	M 10 x 1	-	M 5	13.8	-	5	17	5	15	6	4.5	12	6	15	22
GN 617-6-GK-NI	6	M 12 x 1.5	-	M 6	16.2	-	6	20	6	17	10	8	14	8	21	35
GN 617-8-GK-NI	8	M 16 x 1.5	-	M 8	21.9	-	8	26	8	23	12	10	19	9	26	77
GN 617-10-GK-NI	10	M 20 x 1.5	-	M 8	25.4	-	10	33	10	30	12	12	22	17	40	131

GN 617-NI (Stainless Steel knob)

STAINLESS STEEL

Description	d1 Pin -0.02/-0.05 Bore H7	d2	d3	e	l1 ≈	l2 min.	l3	l4	l5	l6 min.	A/F	Spring load in N ≈ initial	Spring load in N ≈ end	⚖️
GN 617-5-AN-NI	5	M 10 x 1	21	13.8	45	5	17	5	6	15	12	6	15	39
GN 617-6-AN-NI	6	M 12 x 1.5	25	16.2	54.5	6	20	6	10	17	14	8	21	65
GN 617-8-AN-NI	8	M 16 x 1.5	31	21.9	69	8	26	8	12	23	19	9	26	135
GN 617-10-AN-NI	10	M 20 x 1.5	31	25.4	80	10	33	10	12	30	22	17	40	175
GN 617-5-AKN-NI	5	M 10 x 1	21	13.8	45	5	17	5	6	15	12	6	15	40
GN 617-6-AKN-NI	6	M 12 x 1.5	25	16.2	54.5	6	20	6	10	17	14	8	21	130
GN 617-8-AKN-NI	8	M 16 x 1.5	31	21.9	69	8	26	8	12	23	19	9	26	156
GN 617-10-AKN-NI	10	M 20 x 1.5	31	25.4	80	10	33	10	12	30	22	17	40	220



Indexing elements